



Thank you for your purchase of EchoStreams FlacheSAN2N24U-D5 Storage Server System!

1. Check the Content of the box. Please confirm that your package contains the following:

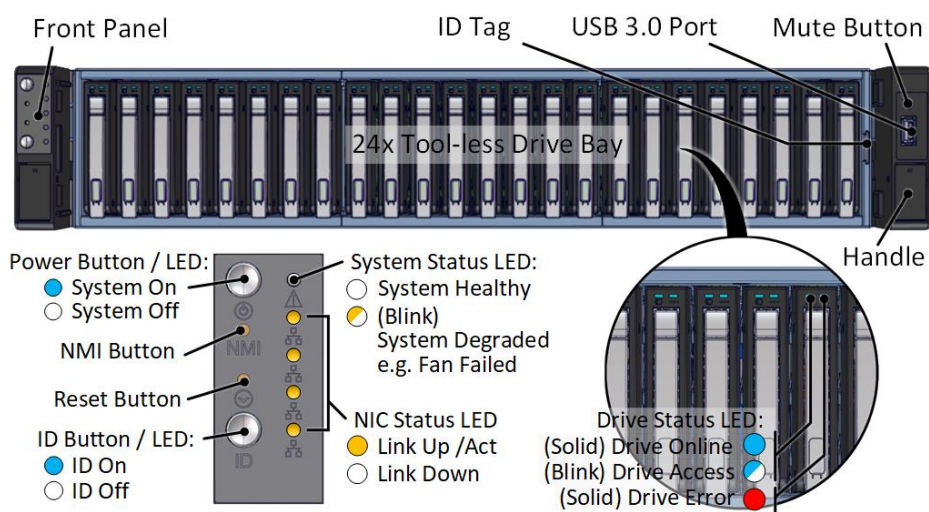
#	Description	Image / Description	Qty
1	FlacheSAN2N Enclosure		1
2	Motherboard	Tyan S7106GM2NR	1
3	CPU and memory	Intel Skylake and DDR4	Opt.
4	IO Cards		Opt.
5	Heatsink		2
6	2x 2.5" Drive Bay		Opt.
7	Slide Rail Kit + Screws		1 set
8	Power Cable*		2
9	Serial Cable*		1

* Inside the accessories box. Box may consist of screw sets for rail kit or drives. If any items are missing, please contact your reseller or sales rep.

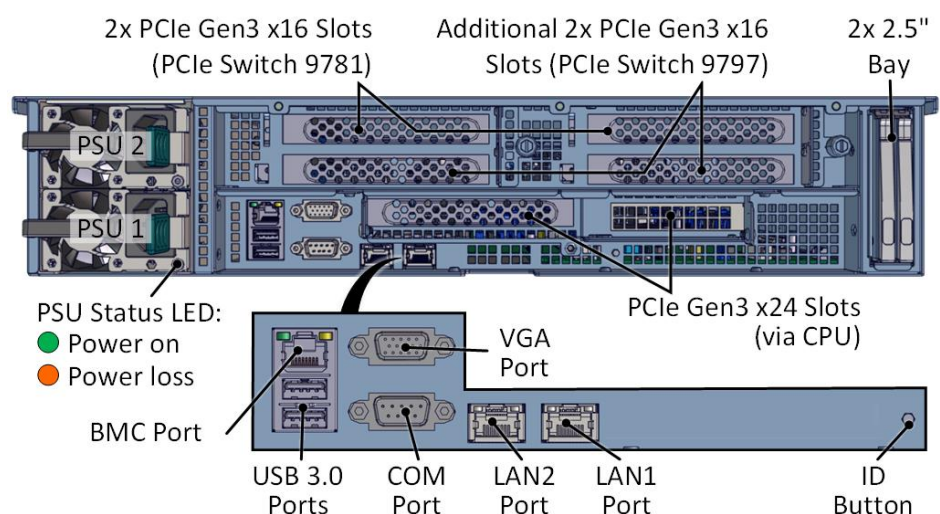
2. Get Familiar with the Unit.

FlacheSAN2N24U-D5 is a Skylake Dual-Processor NVMe based storage server featuring 24x front tray-less 2.5" NVMe card in U.2 form factor connected to 2x or 4x rear FH PCIe Gen3 x16 slots via PCIe switch, additional FH and LP PCIe Gen3 x24 slots, and an optional rear 2x 2.5" OS drive in a 2U space. Tyan S7106GM2NR and internal cabling are preinstalled. IO cards, CPU, and memory can be preinstalled upon request.

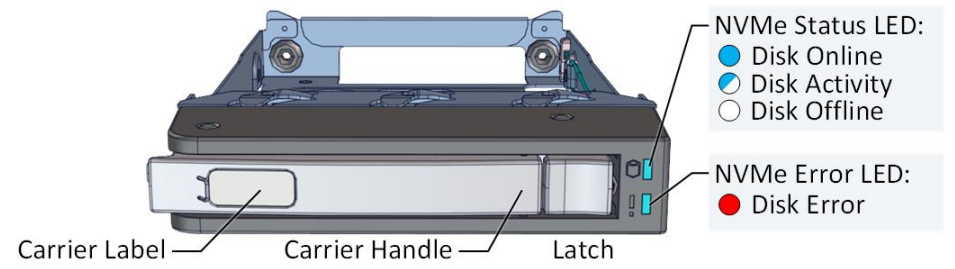
Front view of the unit



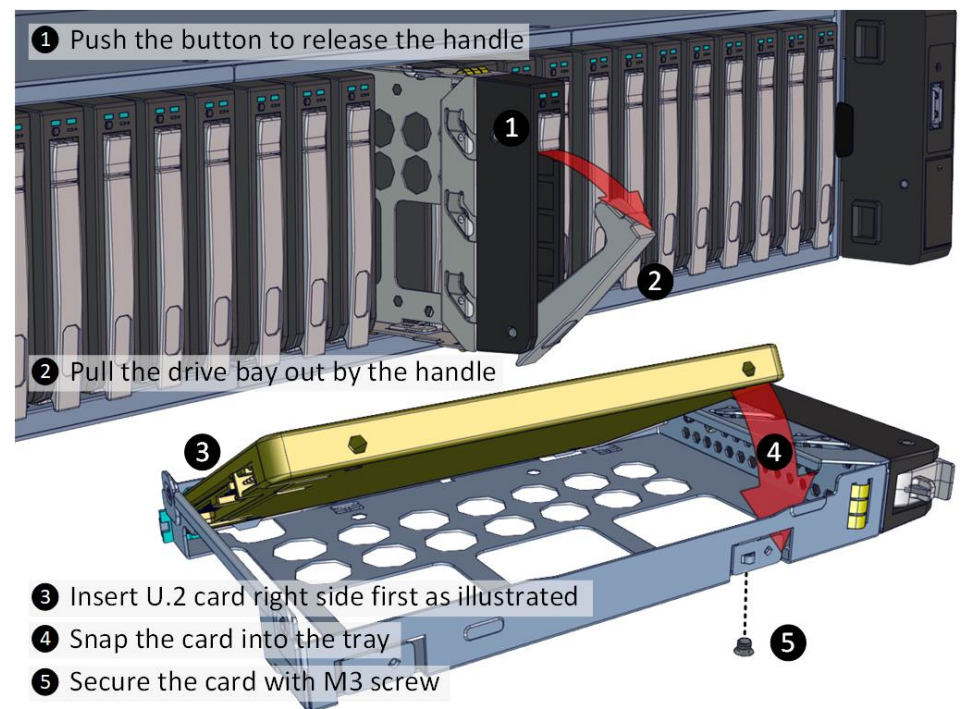
Rear view of the unit



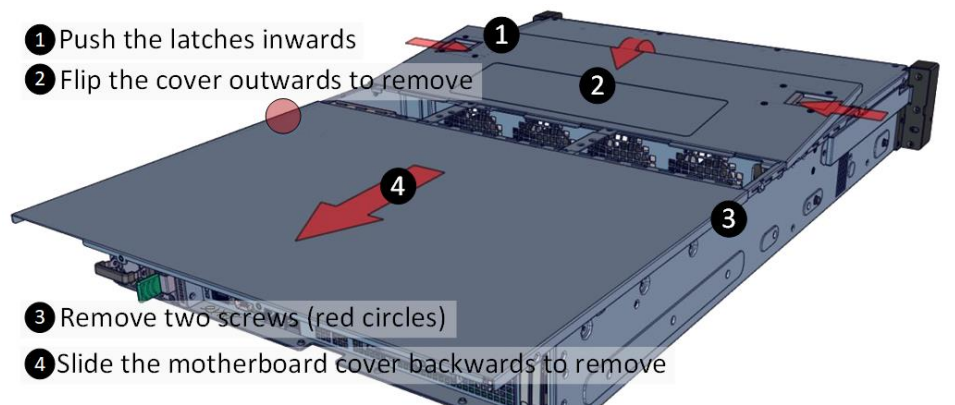
NVMe Carrier



3. Install U.2 Cards to the enclosure as illustrated:

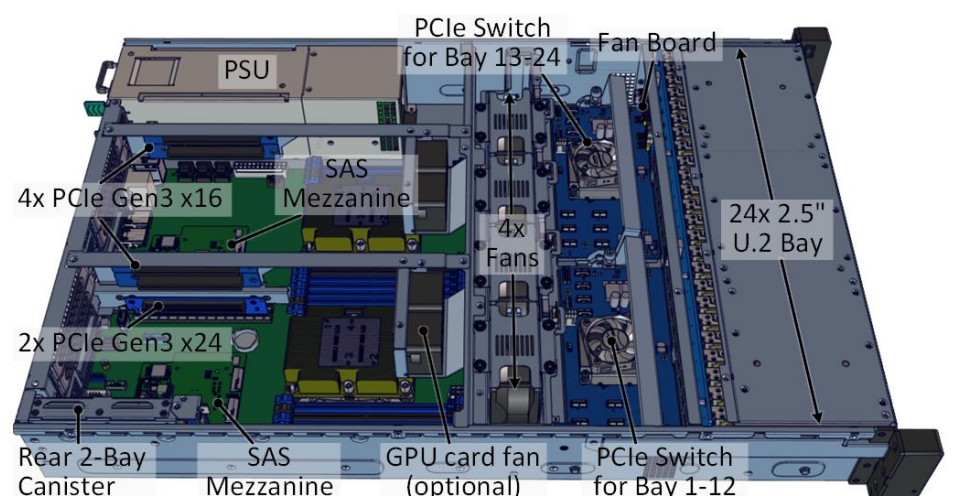


4. Remove the Top Covers of the unit as follows:



Remove the middle cover to get access to internal fans. The rear cover is for motherboard access.

5. Inspect the Inside of the unit. Internal components comprise of a Tyan motherboard, two PCIe switches, riser cards, a rear 2x 2.5" bay, 4x system fans and 2x GPU card fan modules (all connected to the motherboard).

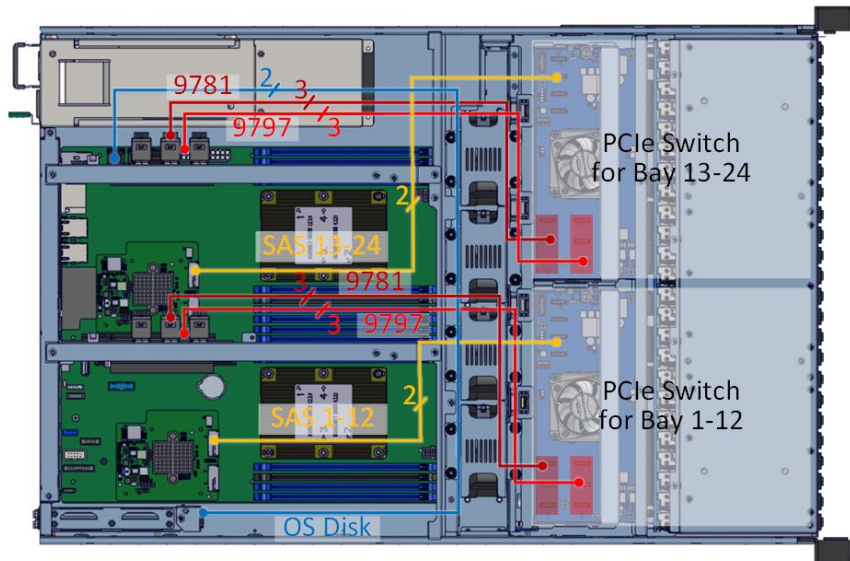


Installation and service of this product should be conducted by a trained personnel to avoid bodily injury from electric shock or heavy object



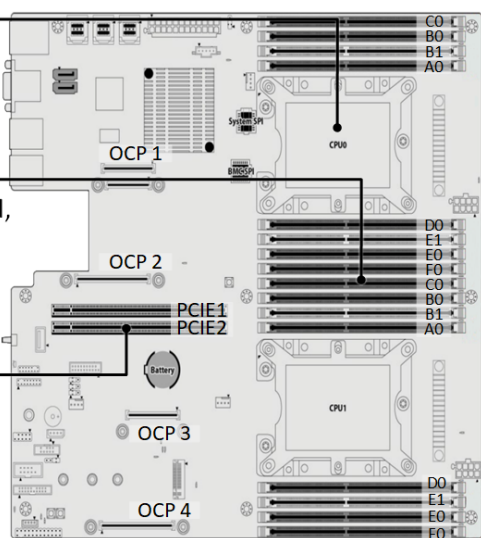
Observe ESD (Electrostatic Discharge) practices during integration to avoid possible damage to the board and / or other components

See below for the example of internal cable connections:

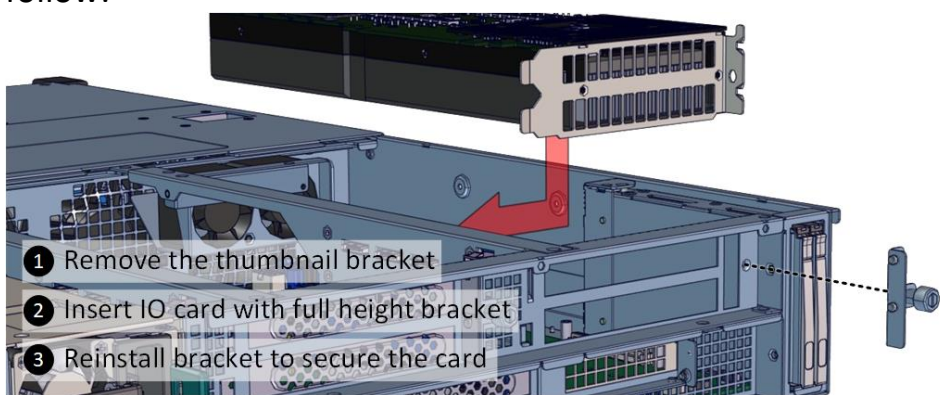


6. Install Motherboard Components (CPU, memory) using the guidelines below. For further details, refer to the motherboard user's guide.

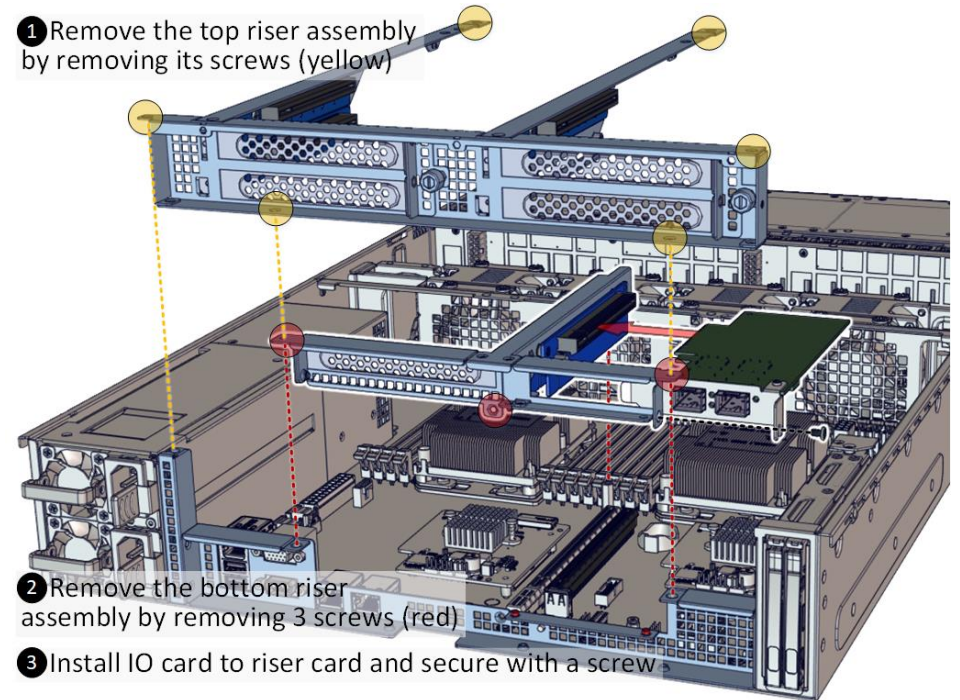
- Support for Intel Xeon Skylake Processor Family
- Dual LGA3647
- Max up to 205W TDP
- Chipset PCH Intel C622
- Support 8+8 DIMM slots
- Up to 512GB RDIMM, 1TB LRDIMM, 2TB LRDIM 3DS
- 6 Channels per CPU
- Populate from A0, B0, C0, D0, E0, F0, B1, E1
- Two PCIe Gen3 x24 slots
- PCIe1 f/ CPU1, PCIe2 f/ CPU0
- OCP2 is Gen3 x8, OCP1+2 is Gen3 x16, f/ CPU0
- OCP4 is Gen3 x8, OCP3+4 is Gen3 x16, f/ CPU1



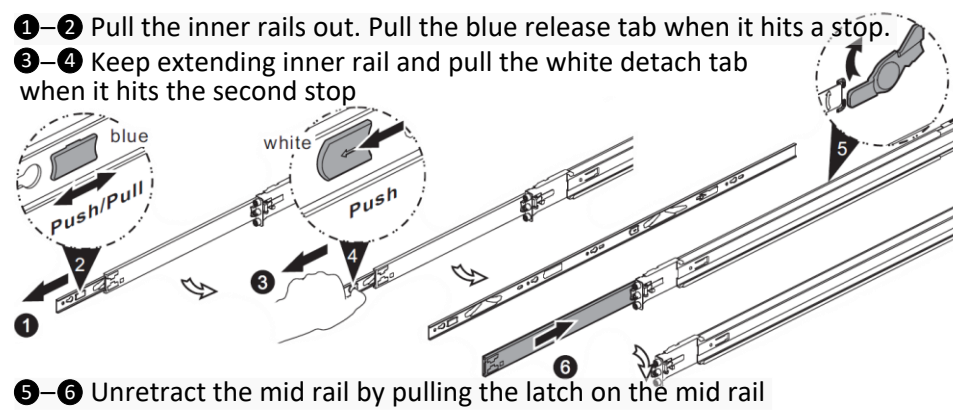
7. Install IO cards to the top riser card assembly as follow:



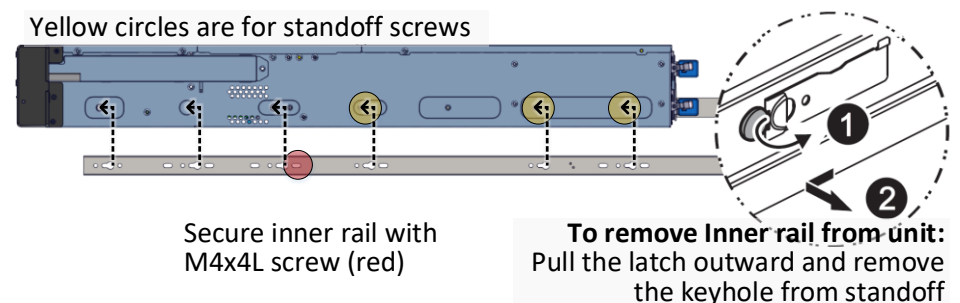
Install IO cards to bottom riser card assembly as follow:



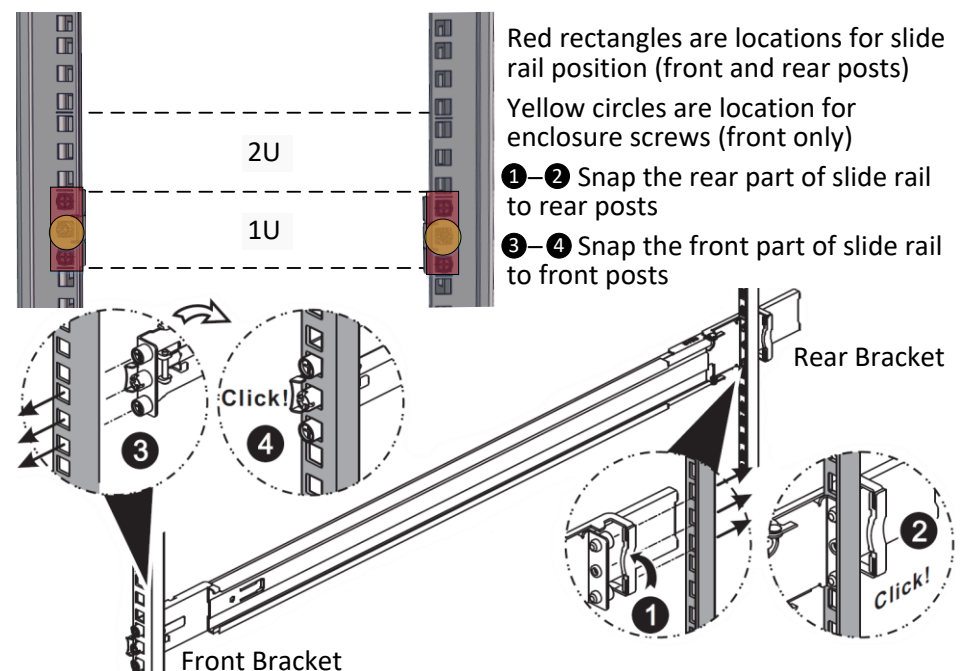
8. Remove the Inner Rail from the slide rail.



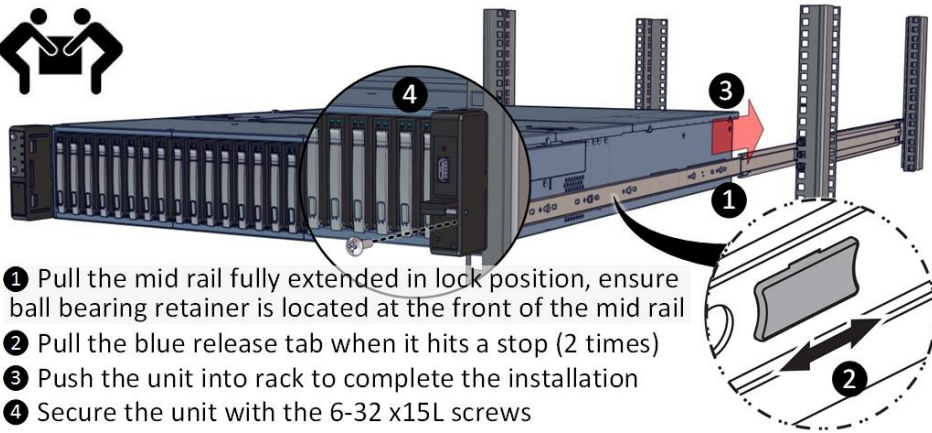
9. Install Inner Rails to the enclosure.



10. Install the Outer Rails to the Rack as follows:



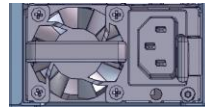
11. Install the Unit to the Rack as follows:



- 1 Pull the mid rail fully extended in lock position, ensure ball bearing retainer is located at the front of the mid rail
- 2 Pull the blue release tab when it hits a stop (2 times)
- 3 Push the unit into rack to complete the installation
- 4 Secure the unit with the 6-32 x15L screws

For a complete instruction on how to install unit to the rack, please follow the Slide Rail Installation Guide.

12. Plug in the Power Cords to the AC receptacles on the back of the unit.



13. Press the Power Button on the front of the unit and for the system to boot up.

